



EKZ 2700

EKZ 2700

Our proven Czochralski-Puller for mass production of Silicon crystals up to 230 mm diameter.

Technical Data

Puller Data

Crucible diameter:	up to 508 mm (20")
Crystal diameter:	up to 230 mm
Crystal length:	up to 2.5 m
Charge size:	up to 120 kg
Vessel diameter:	approx. 884 mm
Vessel height:	approx. 1,450 mm
Gate valve diameter:	300 mm
Receiving chamber:	door
Weight (Puller):	approx. 8,000 kg
Weight (power cabinet):	approx. 1,600 kg
Weight (control cabinet):	approx. 360 kg

Crucible drive unit

Lifting speed:	0.02 ... 200 mm/min
Stroke:	approx. 350 mm
Rotation speed:	0,5 ... 35 rpm

Crystal drive unit

Lifting speed:	0.1 ... 1,000 mm/min
Rotation speed:	0,5 ... 35 rpm

Utilities

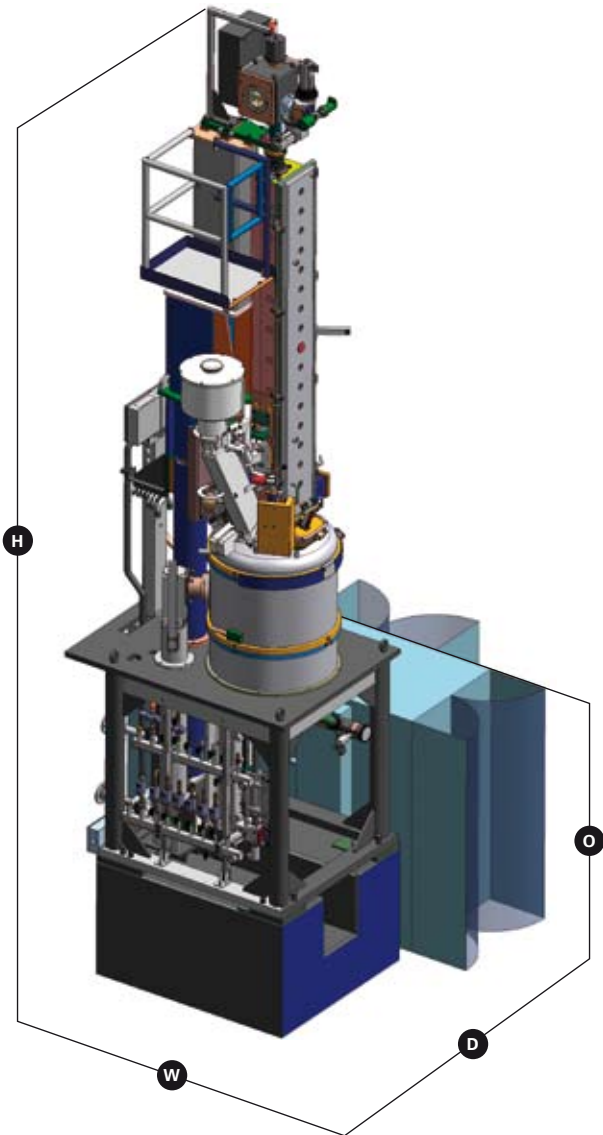
Power supply:	max. 220 kVA
Process gas:	max. 100 l/min
Compressed air:	5 ... 9 bar
Water pressure:	max. 4 bar
Water consumption:	max. 180 l/min

System Control

Automatic process control by PLC / PC:	equipped as standard
--	----------------------

Options

- Granular feeding system
- Hot Zone upgrade up to 22" (150 kg Charge size)
- Vacuum pumping
- SiO filter system
- Production Management System



Dimensions

(approx.)

H	Height (opened)	8,800 mm
	(closed)	8,000 mm
W	Width	1,500 mm
D	Depth	2,600 mm
O	Operator level	2,600 mm